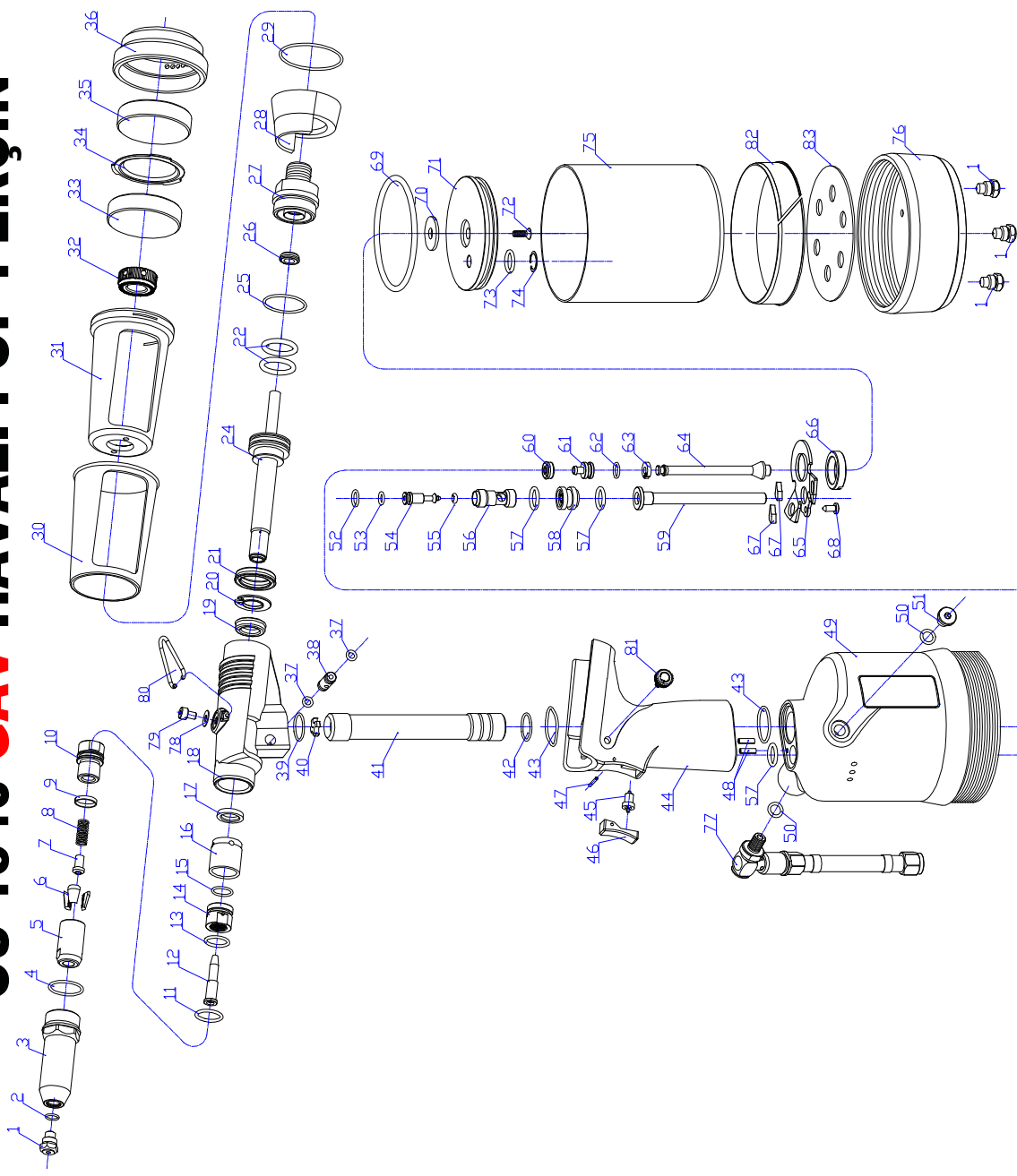


OS-1540 GAV HAVALI POP PERÇİN



PART NO.	DESCRIPTION	Req QTY	PART NO.	DESCRIPTION	Req QTY	PART NO.	DESCRIPTION	Req QTY
1	NOSEPIECE 4.8	1	27	END CAP	1	56	VALVE BODY	1
1	NOSEPIECE 6.4	1	28	STEM COLLECTOR ADAPTOR	1	57	O RING	3
1	NOSEPIECE 4.8 (φ 3.5)	1	29	O RING	1	58	VALVE SEAT	1
1	NOSEPIECE 6.4 (φ 4.5)	1	30	STEM COLLECTOR OUTER	1	59	TRANSFER TUBE	1
2	O RING	1	31	STEM COLLECTOR INNER	1	60	LIP SEAL	1
3	NOSE CASING	1	32	RETAINING NUT	1	61	OIL TUBE PISTON	1
4	O RING	1	33	SILENCER	1	62	O RING	1
5	JAW HOUSING	1	34	STEM COLLECTOR END CAP	1	63	PISTON RING	1
6	JAWS	1	35	SILENCER	1	64	PISTON ROD	1
7	JAW SPREADER	1	36	SILENCER CAP	1	65	CLAMP PLATE	1
8	SPRING	1	37	O RING	2	66	SET NUT	1
9	LOCK RING	1	38	ADJUSTING BUTTON	1	67	SILENCER	2
10	JAW SPREADER HOUSING	1	39	O RING	1	68	TAPPING SCREW	1
11	O RING	1	40	STAR WASHER	1	69	O RING	1
12	VACUUM SLEEVE	1	41	OIL TUBE	1	70	WASHER	1
13	PTFE RING	1	42	O RING	1	71	PISTON	1
14	SET NUT	1	43	O RING	2	72	BOLT	1
15	O RING	1	44	HANDLE	1	73	LIP SEAL	1
16	SEAL HOUSING	1	45	TRIGGER VALVE	1	74	RETAINING RING	1
17	SEALING RING	1	46	TRIGGER	1	75	ALUMINUM CYLINDER LINER	1
18	HEAD ASSEMBLY	1	47	TRIGGER PIN	1	76	BASE COVER	1
19	LIP SEAL	1	48	SPRING PIN	2	77	ON/OFF ASSEMBLY	1
20	SEAL RETAINER	1	49	PLASTIC CYLINDER	1	78	WASHER	1
21	LIP SEAL	1	50	O RING	2	79	OIL SCREW	1
22	O RING	2	51	SCREW	1	80	HOOK	1
23			52	O RING	1	81	ADJUSTING NUT	1
24	HEAD PISTON	1	53	O RING	1	82	SPACER	1
25	O RING	1	54	VALVE SPOOL	1	83	CUSHION	1
26	LIP SEAL	1	55	O RING	1			